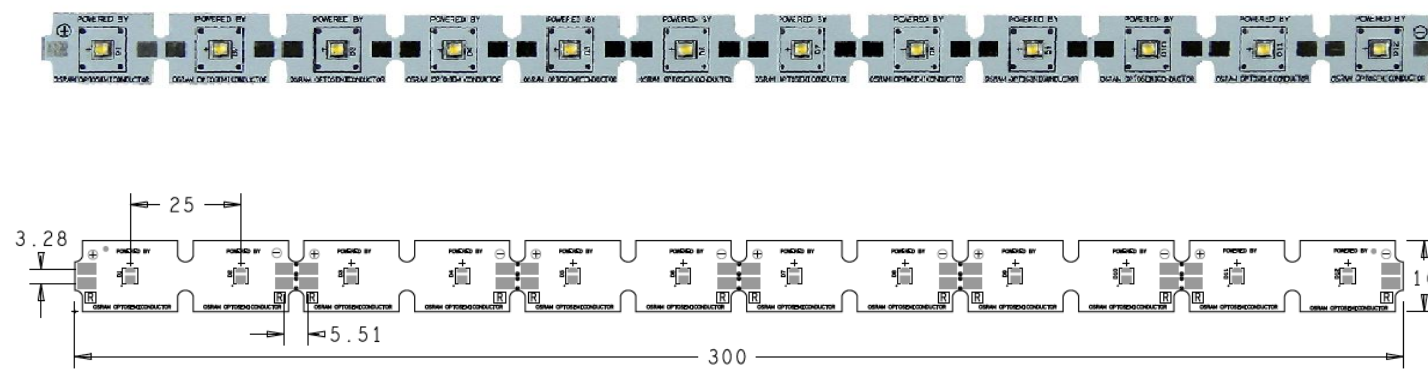


FEATURES OF LED	FEATURES OF LED MODULE
<ul style="list-style-type: none"> <li>LED type : OSRAM Oslon Square</li> <li>LED case: 3.0 mm x 3.0 mm</li> <li>Viewing angle: 120°</li> <li>IEC62471 Biological Eye Safety Test Report</li> <li>Up to 1800 mA</li> <li>Thermal resistance (typ.) : 3 K/W</li> <li>Constant colour binnig</li> <li>Constant brightness binnig</li> <li>Constant voltage binning</li> <li>LM80 test report</li> </ul>	<ul style="list-style-type: none"> <li>Ideal for wallwasher Lighting</li> <li>Low energy consumption, high efficacy and long life</li> <li>Homogeneous illumination</li> <li>3 years warranty</li> </ul>



Product Code	Color Temperature <sup>1</sup>	Total number of LEDs	Number of parallel strings	Number of LEDs per string	Luminous Flux @ ts = 85 °C (lm) <sup>2</sup>	Min.Forward Voltage @ ts = 85 °C (V) <sup>3</sup>	Max. forward Voltage @ ts = 85 °C (V) <sup>3</sup>	max.Power consumption (W) <sup>3</sup>	Colour rendering index (CRI)	
<b>Operating mode at 350 mA</b>										
LNR-300x15-SQRx12-30	3000K	12	1	12	2196	2268	31,80	38,40	13,44	≥70
LNR-300x15-SQRx12-40	4000K	12	1	12	2196	2268	31,80	38,40	13,44	≥70
LNR-300x15-SQRx12-65	6500K	12	1	12	2196	2340	31,80	38,40	13,44	≥70
<b>Operating mode at 500 mA</b>										
LNR-300x15-SQRx12-30	3000K	12	1	12	2745	2835	31,80	38,40	19,20	≥70
LNR-300x15-SQRx12-40	4000K	12	1	12	2745	2835	31,80	38,40	19,20	≥70
LNR-300x15-SQRx12-65	6500K	12	1	12	2745	2925	31,80	38,40	19,20	≥70
<b>Operating mode at 700 mA</b>										
LNR-300x15-SQRx12-30	3000K	12	1	12	3660	3780	31,80	38,40	26,88	≥70
LNR-300x15-SQRx12-40	4000K	12	1	12	3660	3780	31,80	38,40	26,88	≥70
LNR-300x15-SQRx12-65	6500K	12	1	12	3660	3900	31,80	38,40	26,88	≥70
<b>Operating mode at 1050 mA</b>										
LNR-300x15-SQRx12-30	3000K	12	1	12	4758	4914	31,80	38,40	40,32	≥70
LNR-300x15-SQRx12-40	4000K	12	1	12	4758	4914	31,80	38,40	40,32	≥70
LNR-300x15-SQRx12-65	6500K	12	1	12	4758	5070	31,80	38,40	40,32	≥70

**Note:** LED modules are designed for usage with a constant current power supply

<sup>1</sup> 3000K: GW CSSRM2.PM-N3N4-XX57  
 4000K: GW CSSRM2.PM-N3N5-XX55  
 6500K: GW CSSRM2.PM-N3N5-XX51

<sup>2</sup> Tolerance range for optical data: ±10 %.

<sup>3</sup> Tolerance range for electrical data: ±4 %.