



Board-to-Board Link; Pin spacing 3 mm; 1-pole; Length: 15.3 mm

Item No.: 2059-901



Board-to-Board Link; Pin spacing 3 mm; 1-pole; Length: 15.3 mm

Marking

RoHS ✓
Compliant

Business data

Supplier	WAGO
Item no.	2059-901
GTIN / EAN	4055143610100
Content	1
Order amount	1,500
Customer item number	

Notes

Item description: Board-to-board links simplify LED module assembly Easy push-in connection and disconnection

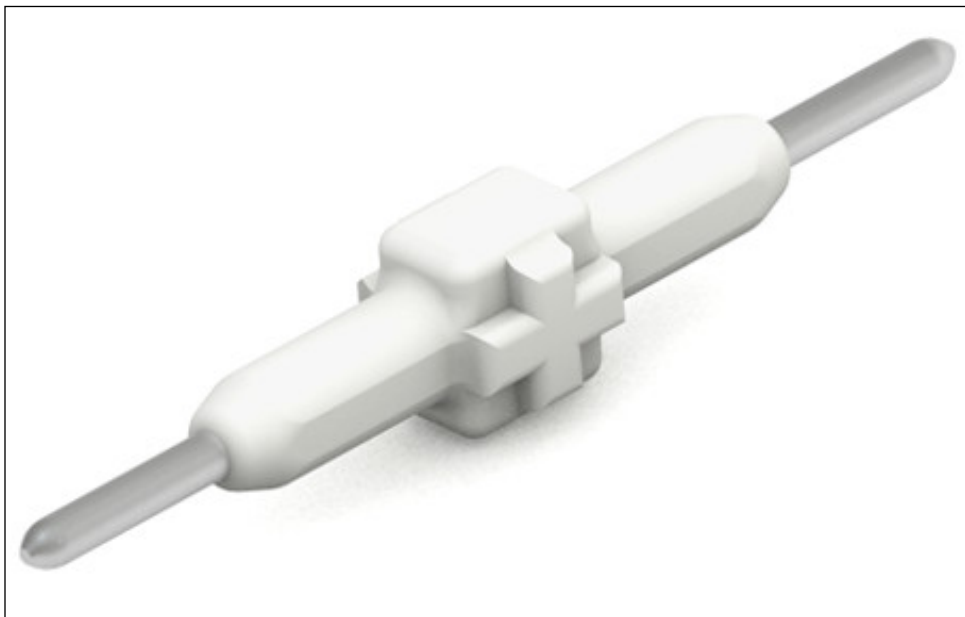
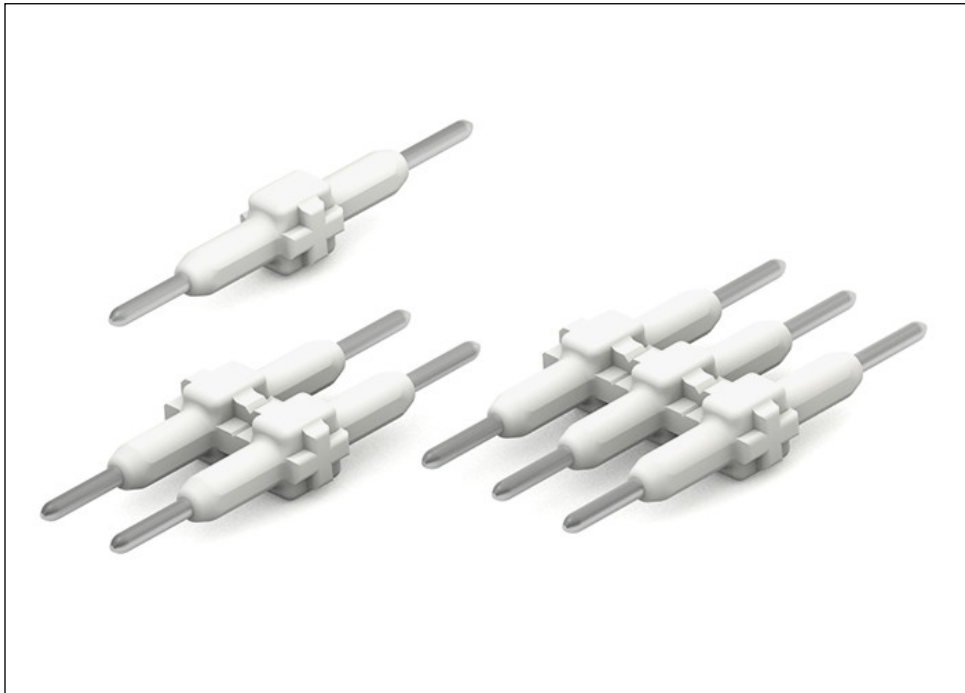
Technical data

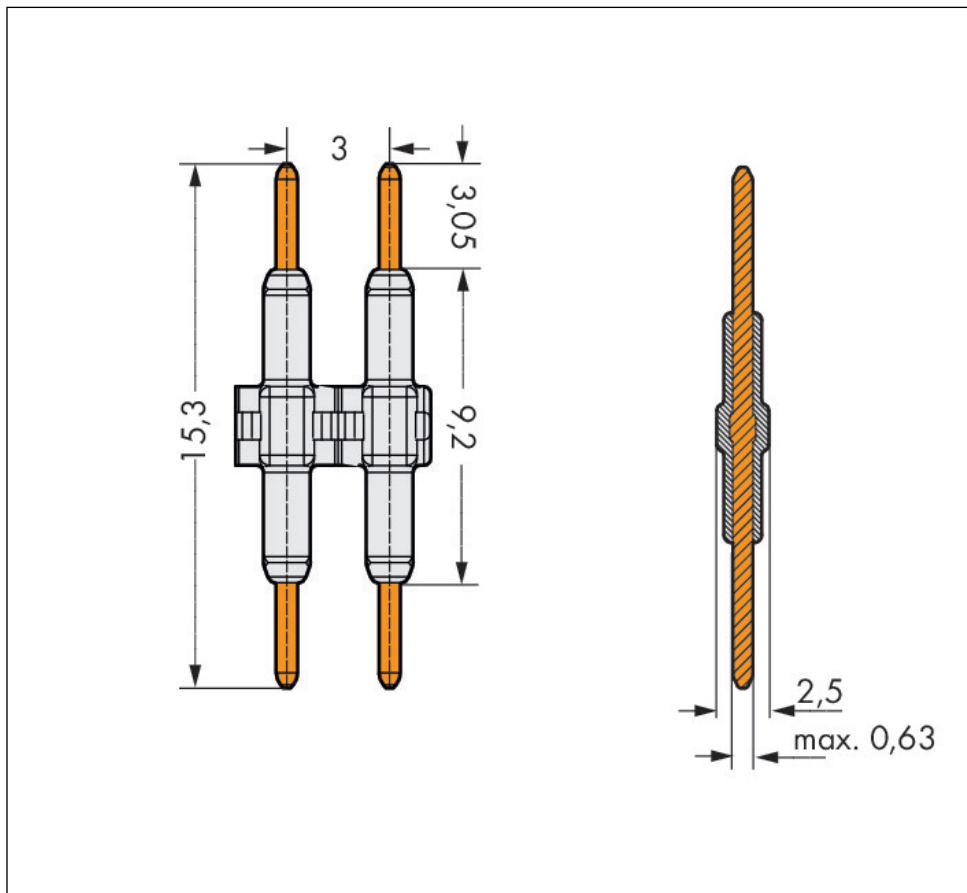
Miscellaneous

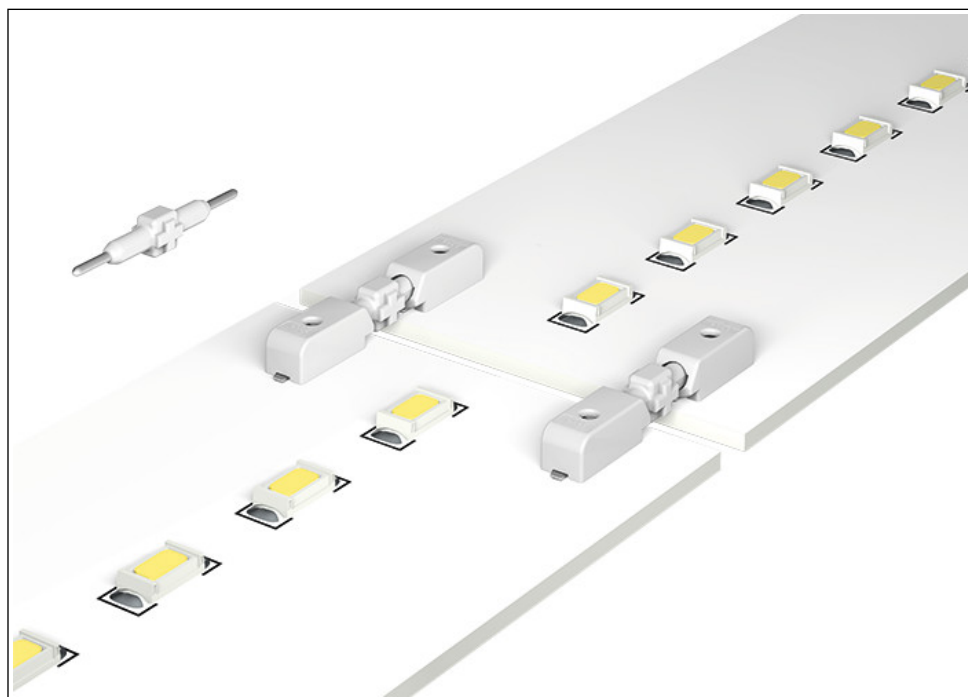
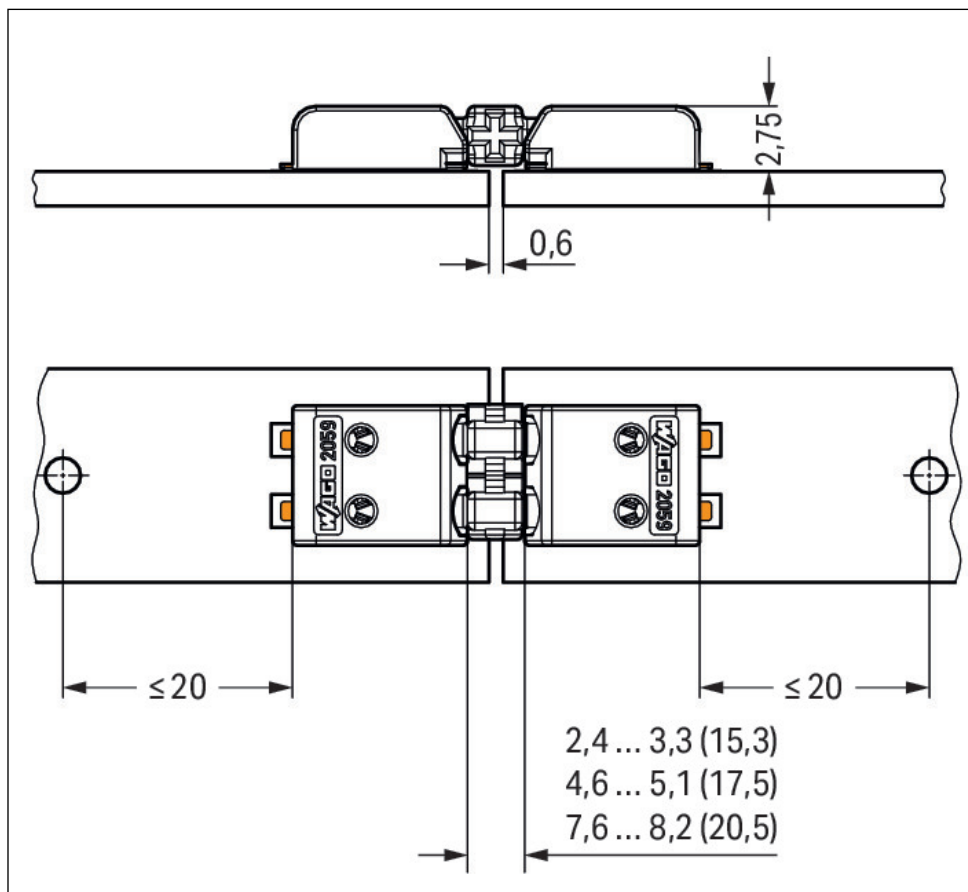
No. of poles	1
Total number of potentials	1
Pin spacing	3 mm (0.118 in)
Width	2.7 mm / 0.106 in
Height	2.5 mm / 0.098 in
Depth	15.3 mm / 0.602 in

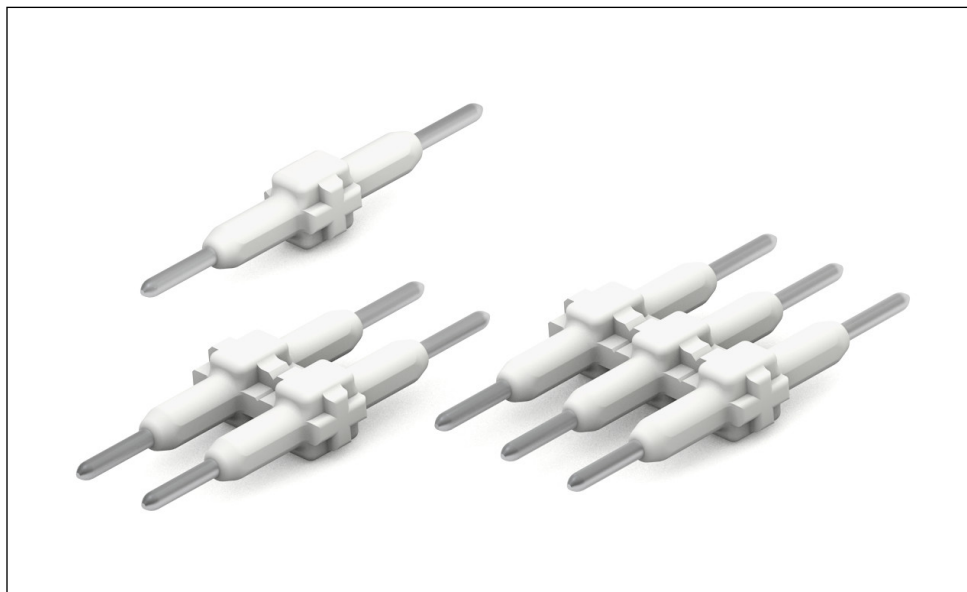
Technical data	
<i>Color</i>	<i>white</i>
<i>Material group</i>	<i>I</i>
<i>Insulating material</i>	<i>Polyamide 66 (PA 66)</i>
<i>Flammability class per UL94</i>	<i>V0</i>
<i>Contact material</i>	<i>Copper alloy</i>
<i>Contact plating</i>	<i>silver-plated</i>
<i>Fire load [MJ]</i>	<i>0.001 [MJ]</i>
<i>Weight [g]</i>	<i>0.063 [g]</i>
<i>Limit temperature range</i>	<i>-60 ... 105 °C</i>
<i>Packaging type</i>	<i>BOX</i>
<i>[mm]</i>	<i>2.7 [mm]</i>
<i>Pin spacing from [in]</i>	<i>0.118 [in]</i>
<i>Pin spacing from [mm]</i>	<i>3 [mm]</i>
<i>Main product function</i>	<i>Board-to-Board Link</i>
<i>Product type</i>	<i>Accessories</i>
<i>Suitable</i>	<i>for SMD PCB terminal blocks with push-buttons</i>

Images & drawings









Address

WAGO Kontakttechnik GmbH & Co. KG

Hansastr. 27

32423 Minden

Telefon: 0571/887-0

Fax: 0571/887-169

<http://www.wago.com>

© WAGO Kontakttechnik GmbH & Co. KG

Technische Änderungen und Irrtümer vorbehalten.