

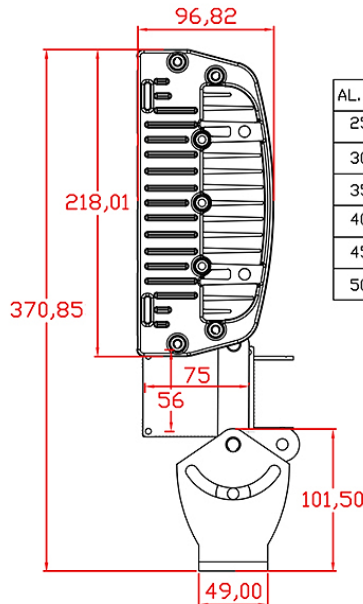
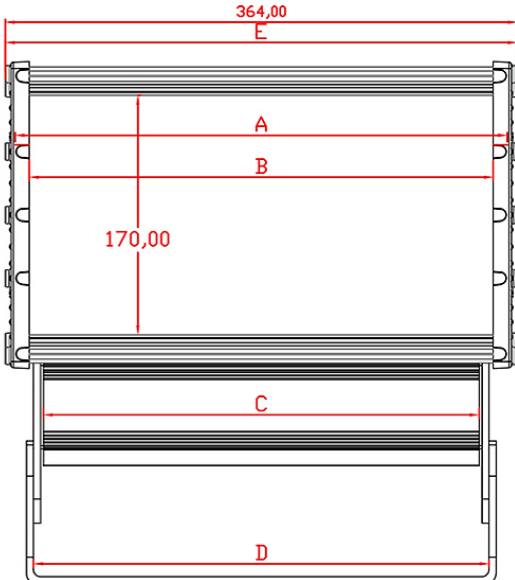
Datasheet: PR-80



Ürün Özellikleri / Product Characteristics

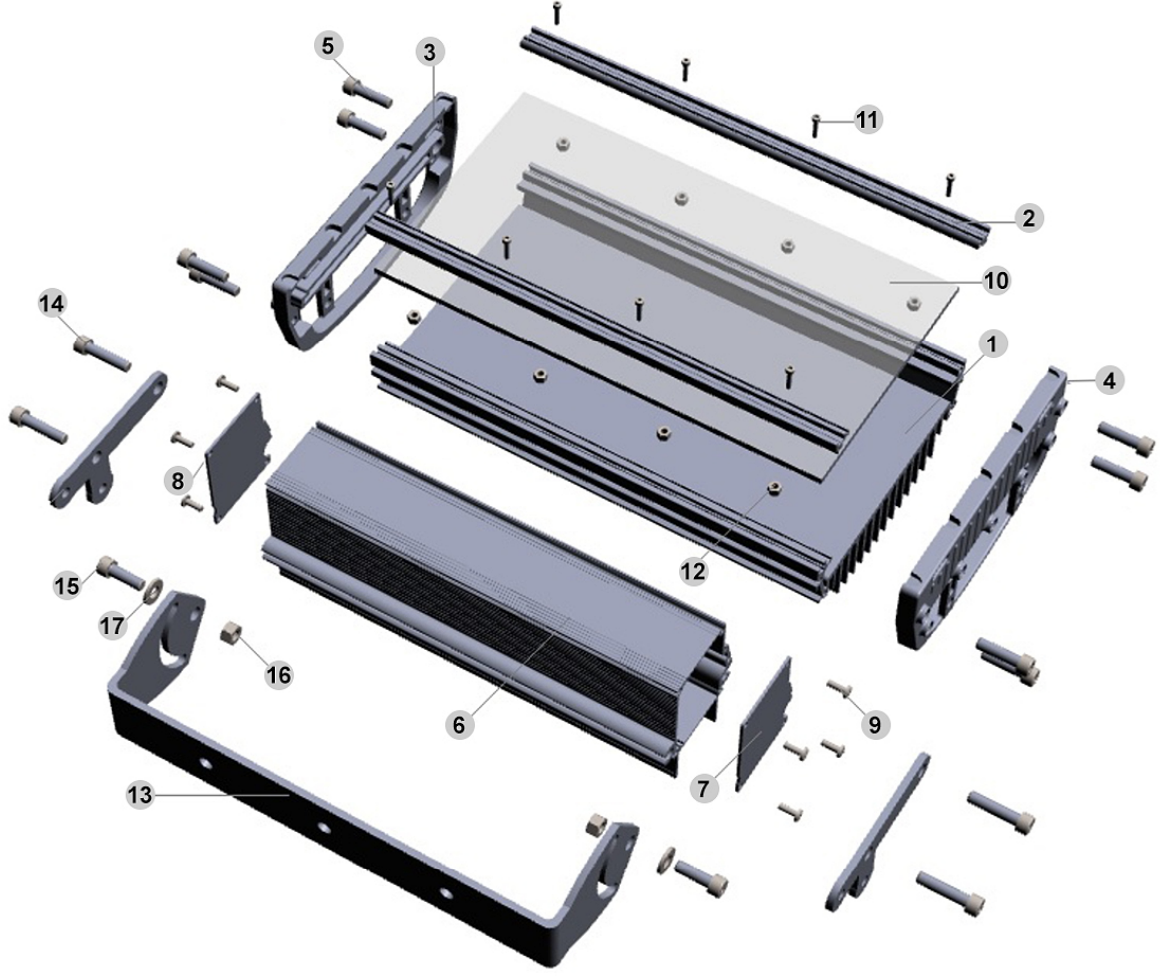
Soğutucu Profil Heatsink Profile	6063 Kalite Eloksal Kaplı Alüminyum Profil 6063 Quality-Anodic Oxidation Covered Aluminium Profile
Soğutucu Cam Çıtası Heatsink for Glass	6063 Kalite Eloksal Kaplı Alüminyum Profil 6063 Quality-Anodic Oxidation Covered Aluminium Profile
Yan Kapak Side Lids	Etial 150 Kalite Elektrostatik Toz Boyalı Alüminyum (RAL 9006) Etial 150 Quality Electrostatic Paint Aluminium(RAL 9006)
Driver Kutu Kapak Driver Case Lid	6063 Kalite Eloksal Kaplı Alüminyum Profil 6063 Quality-Anodic Oxidation Covered Aluminium Profile
Kasa contaları (Camaltı, Profil ve Driver Yan Kapak) Gasket (Under of Glass, Driver Case and Side Lid)	GE Bayar Silikon, Vulkanize, (45,55,65) Shore-A GE Bayar Silikon, Vulkanize, (45,55,65) Shore-A
Ayak Bracket	5 mm HRP Elektrostatik Toz Boya; RAL 9006 5 mm HRP Powder-Coated; RAL 9006
Cam Glass	5 mm Temperli Cam 5 mm Tempered Glass

Teknik Bilgi / Technical Information



AL. PROFILE (A)	B -mm-	DRIVER CASE (C)	PR STAND (D)	E -mm-
250 mm	230	191 mm	210 mm	264
300 mm	280	241 mm	260 mm	314
350 mm	330	291 mm	310 mm	364
400 mm	380	341 mm	360 mm	414
450 mm	430	391 mm	410 mm	464
500 mm	480	441 mm	460 mm	514

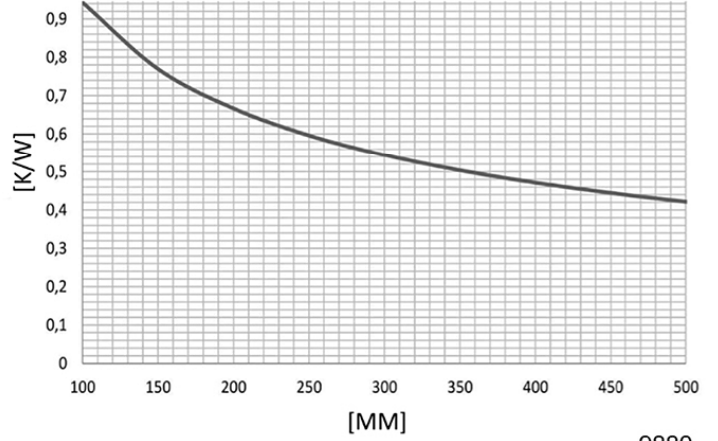
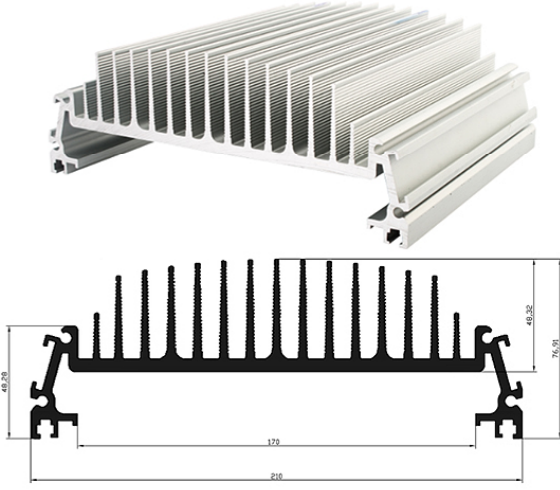




PR-80 Ürün Reçetesi / PR-80 Detailed Product List

Nr.	ÜRÜN / PRODUCT		MİKTAR / QTY	
1	PR-80 Profil	PR-80 Profile	1	Ad / Pcs
2	Çıta-D	Lath-D	2	Ad / Pcs
3	PR-80 Yan Kapak Delikli	PR-80 Side Lid With Hole	1	Ad / Pcs
4	PR-80 Yan Kapak Deliksiz	PR-80 Side Lid Without Hole	1	Ad / Pcs
5	M6*16 İnoks İmbus	M6*16 Inox Socket Head Cap Screw	8	Ad / Pcs
6	DK-80 Driver Kutu	DK-80 Driver Case	1	Ad / Pcs
7	DK-80 Yan Kapak Delikli	DK-80 Side Lid With Hole	1	Ad / Pcs
8	DK-80 Yan Kapak Deliksiz	DK-80 Side Lid Without Hole	1	Ad / Pcs
9	M4*8 İnoks HSB Vida	M4*8 Inox Phillips Countersunk Head Screw	8	Ad / Pcs
10	Temperli Cam	Tempered Glass	1	Ad / Pcs
11	M4*10 İnoks İmbus	M4*10 Inox Socket Head Cap Screw	8	Ad / Pcs
12	M4 İnoks Somun	M4 Inox Nut	8	Ad / Pcs
13	PR-79/ PR-80 Ayak	PR-79/ PR-80 Bracket	1	Ad / Pcs
14	M10*20 İnoks İmbus	M10*20 Inox Socket Head Cap Screw	4	Ad / Pcs
15	M8*20 İnoks İmbus	M8*20 Inox Socket Head Cap Screw	2	Ad / Pcs
16	M8 İnoks Somun	M8 Inox Nut	2	Ad / Pcs
17	M8 İnoks Rondela	M8 Inox Washer	2	Ad / Pcs


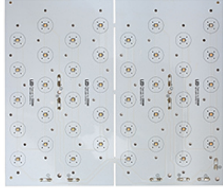

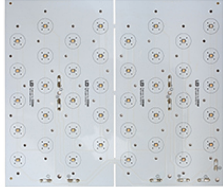
Soğutucu Teknik Bilgi / Heatsink Technical Information







9880
 Termal Direnç Grafiği / Thermal Resistance Graphic

İlişkili Ürünler / Related Products

Uygun LED'ler / Suitable LED's

 Opto Semiconductors	REC-230x135-SSLx40		LED tipi / LED Type: OSRAM Oslon SSL Aç / Angle: 80° IEC62471 Biological Eye Safety Raporu 1000 mA kadar sürülebilme özelliği 1 Termal rezistans (typ.) : 9.6 K/W
 Opto Semiconductors	REC-230x135-SQRx40		LED tipi / LED Type: OSRAM Oslon Sqaure Aç / Angle: 120° IEC62471 Biological Eye Safety Raporu 1800 mA kadar sürülebilme özelliği 1 Termal rezistans (typ.) : 3 K/W

Uygun LED Driver'ler / Suitable LED Driver's

	SAR-100-700 CC		Output current: 700 mA Output voltage: 80-150 V Power factor: PF≥0.95 Size: 243x74x42.5 mm (LxWxH) IP67 3 years warranty 0 - 10V/PWM dimming
	SAR-150-1050 CC		Output current: 1050 mA Output voltage: 100-143V Power factor: PF≥0.90 Size: 203x63x38mm(LxWxH) IP67 3 years warranty