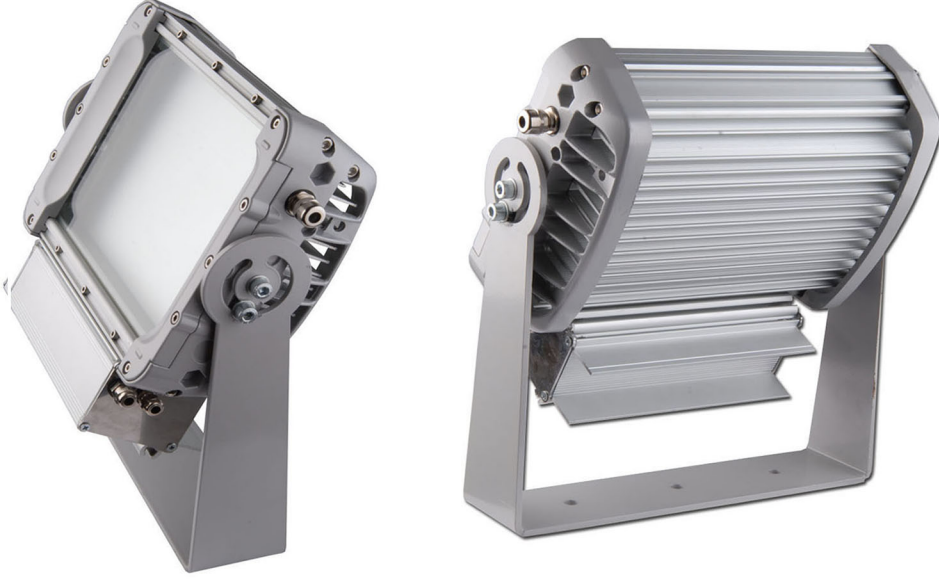


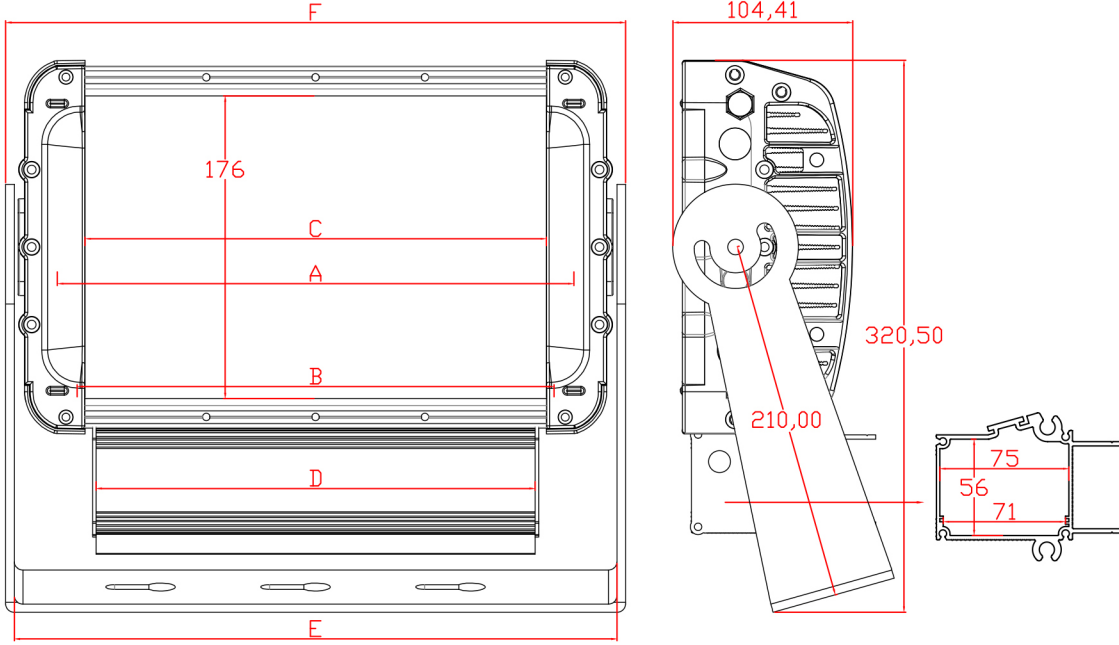
PR-80 XP DATASHEET : PROJEKTÖR KASASI / PROJECTOR HOUSING



Ürün Özellikleri / Product Characteristics

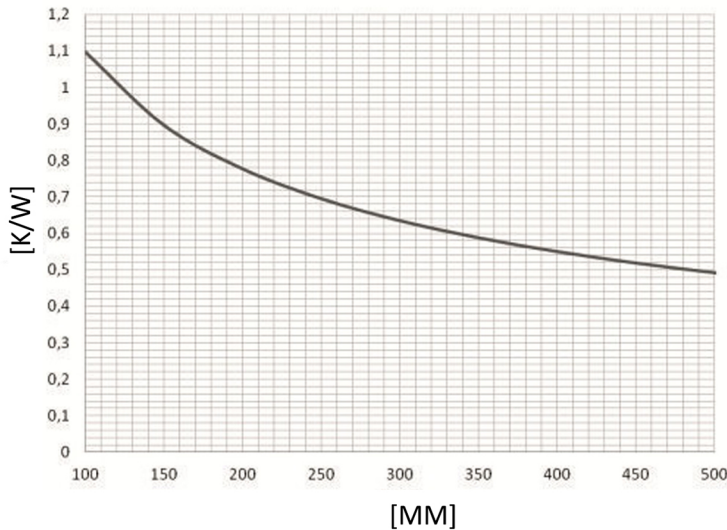
Soğutucu Profil Malzeme Bilgisi Material Of Heatsink	6063 Kalite Eloksal Kaplı Alüminyum Profil 6063 Quality-Anodic Oxidation Covered Aluminium Profile
Soğutucu Cam Çıtası Malzeme Bilgisi Material Of Heatsink For Glass	6063 Kalite Eloksal Kaplı Alüminyum Profil 6063 Quality-Anodic Oxidation Covered Aluminium Profile
Soğutucu Yan Kapak Malzeme Bilgisi Material of Side Lids	Etial 150 Kalite - Elektrostatik Toz Boyalı Alüminyum ; RAL 9006 Etial 150 Quality Electrostatic Paint Aluminium ; RAL 9006
Yan Kapak Çıtası Malzeme Bilgisi Material Of Lath For Lid	Etial 150 Kalite - Elektrostatik Toz Boyalı Alüminyum ; RAL 9006 Etial 150 Quality Electrostatic Paint Aluminium ; RAL 9006
Driver Kutu Malzeme Bilgisi Material Of Driver Case	6063 Kalite Eloksal Kaplı Alüminyum Profil 6063 Quality-Anodic Oxidation Covered Aluminium Profile
Driver Kutu Kapak Malzeme Bilgisi Material Of Side Lid For Driver Case	2 MM Paslanmaz 2 MM Stainless
Kasa Contaları Malzeme Bilgisi (Camaltı, Driver ve Profil Yan Kapak) Material Of Gasket (Under of Glass, Driver Case and Side Lid)	GE Bayar Silikon, Vulkanize, 40 Shore-A GE Bayar Silicones, Vulkanize, 40 Shore-A
Projektör Ayak Malzeme Bilgisi Material Of Bracket	5 MM HRP Elektrostatik Toz Boya; RAL 9006 5 MM HRP Powder-Coated; RAL 9006
Cam Material Of Glass	5 MM Temperli Cam 5 MM Tempered Glass
Bağlantı Elemanları (Vida,Somun) Screws ; Nuts	Cr-Ni Cr-Ni

PR-80 XP : TEKNİK BİLGİ / TECHNICAL INFORMATION

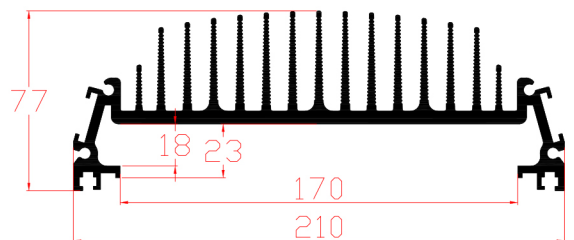


AL. PROFILE (A)	LATH-D (B)	C -mm-	DRIVER CASE (D)	PR STAND (E)	F -mm-
250 mm	227 mm	218 mm	205 mm	300 mm	310 mm
300 mm	277 mm	268 mm	255 mm	350 mm	360 mm
350 mm	327 mm	318 mm	305 mm	400 mm	410 mm
400 mm	377 mm	368 mm	355 mm	450 mm	460 mm
450 mm	427 mm	418 mm	405 mm	500 mm	510 mm
500 mm	477 mm	468 mm	455 mm	550 mm	560 mm
550 mm	527 mm	518 mm	505 mm	600 mm	610 mm
610 mm	587 mm	578 mm	565 mm	650 mm	660 mm
950 mm	927 mm	918 mm	905 mm	1000 mm	1010 mm
1350 mm	1327 mm	1318 mm	1305 mm	1400 mm	1410 mm

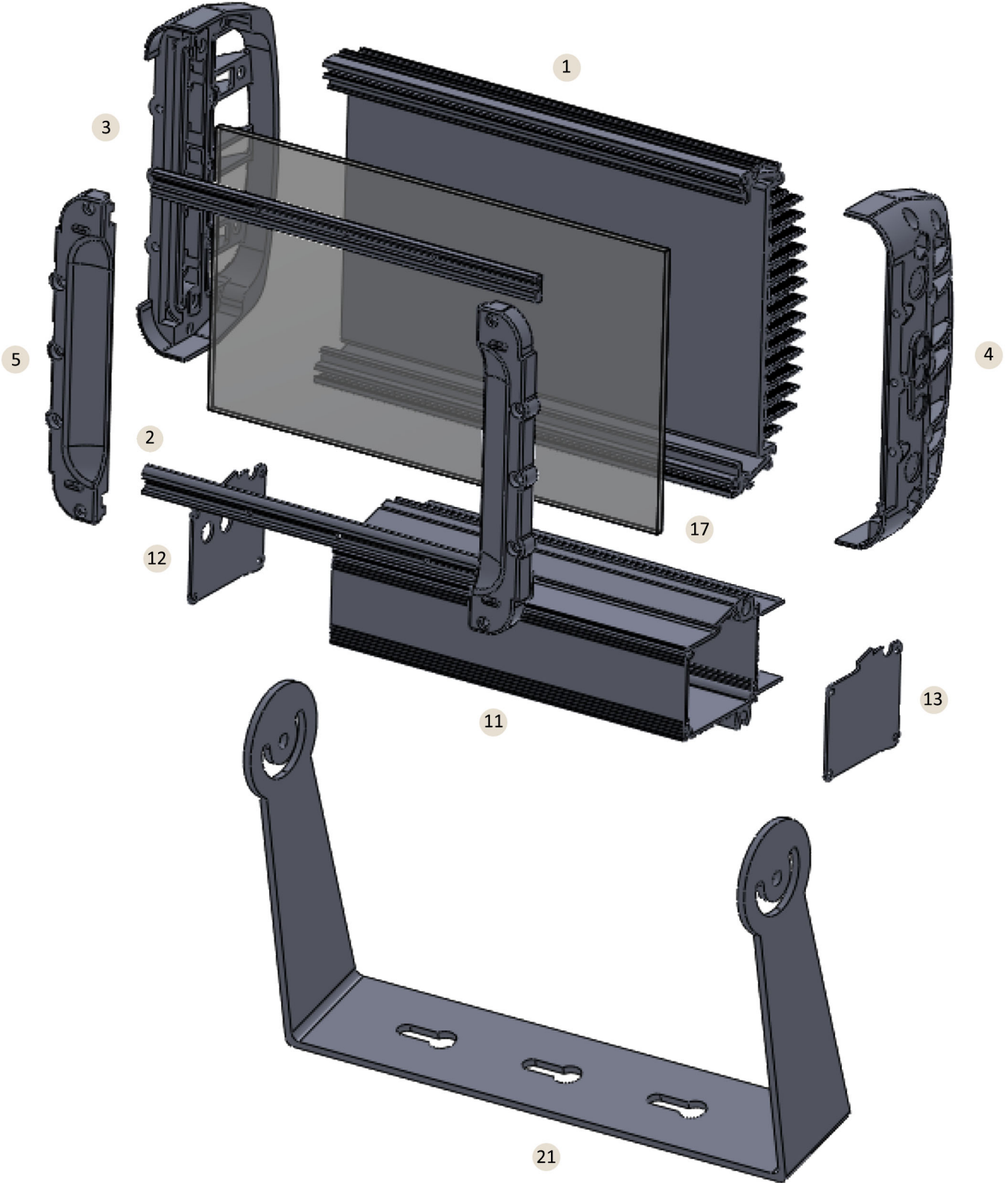
Soğutucu Termal Direnç Eğrisi / Heatsink Thermal Resistance Information



9880 Termal Direnç Grafiği
 9880 Thermal Resistance Graphic



PR-80 XP ÜRÜN REÇETESİ / PR-80 XP DETAILED PRODUCT LIST



PR-80 XP ÜRÜN REÇETESİ / PR-80 XP DETAILED PRODUCT LIST

Nr.	ÜRÜN İSMİ	PRODUCT	MİKTAR / QTY
1	PR-80 Profil (X) mm	PR-80 Profile (X) mm	1 Ad / Pcs
2	Çıta-D (X-23) mm	Lath-D (X-23) mm	2 Ad / Pcs
3	PR-80-XP Yan Kapak	PR-80-XP Side Lid With Hole	1 Ad / Pcs
4	PR-80-XP Yan Kapak Deliksiz	PR-80-XP Side Lid Without Hole	1 Ad / Pcs
5	PR-80-XP Yan Kapak Çıtası	PR-80-XP Lath Of Lid	2 Ad / Pcs
6	PR-80 XP Yan Kapak Conta	PR-80 XP Side Lid Gasket	2 Ad / Pcs
7	M5*16 İnokS İmbus	M5*16 Inox Socket Head Cap Screw	6 Ad / Pcs
8	M6*16 İnokS İmbus	M6*16 Inox Socket Head Cap Screw	8 Ad / Pcs
9	M4*16 İnokS İmbus	M4*16 Inox Socket Head Cap Screw	4 Ad / Pcs
10	M4 SOMUN	M4 Nut	4 Ad / Pcs
11	DK-79 Driver Kutu (X-45) mm	DK-79 Driver Case (X-45) mm	1 Ad / Pcs
12	DK-79 Yan Kapak Delikli	DK-79 Side Lid With Hole	1 Ad / Pcs
13	DK-79 Yan Kapak Deliksiz	DK-79 Side Lid Without Hole	1 Ad / Pcs
14	DK-79 Sağ Conta	DK-79 Left Side Lid Gasket	1 Ad / Pcs
15	DK-79 Sol Conta	DK-79 Right Side Lid Gasket	1 Ad / Pcs
16	M4*8 İnokS İmbus	M4*8 Inox Socket Head Cap Screw	8 Ad / Pcs
17	184*(X+23)*5 Temperli Cam	184*(X+23)*5 Tempered Glass	1 Ad / Pcs
18	PR-80-XP (184*(X+25)) Conta	PR-80-XP (184*(X+25)) Frame Gasket	1 Ad / Pcs
19	M4*10 İnokS İmbus	M4*10 Inox Socket Head Cap Screw	Değişken / Variable
20	M4 Somun	M4 Nut	Değişken / Variable
21	XP Ayak (X+50) mm	XP Bracket (X+50) mm	1 Ad / Pcs
22	M8*16 İnokS İmbus	M8*16 Inox Socket Head Cap Screw	4 Ad / Pcs
23	M8 İnokS Rondela	M8 Inox Washer	4 Ad / Pcs
24	M8 İnokS Pul	M8 Inox Washer	4 Ad / Pcs
25	PG-7 Metal Rakor	PG-7 Metal Gland	2 Ad / Pcs
26	PG-9 Ventli Rakor (PG-7)	PG-9 Ventilated Gland (PG-7)	1 Ad / Pcs