

PR-18 PROJECTOR HOUSING



IP-67



Applications

Urban & Residential Streets

Car Parks

Roads & Motorways

Railway Station & Metros



Features

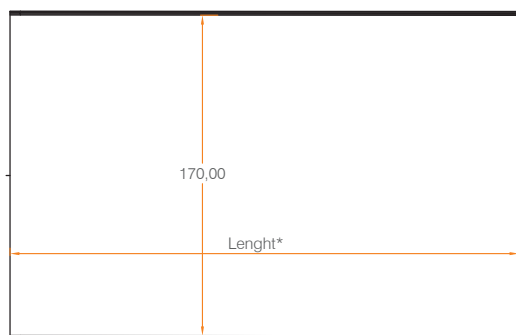
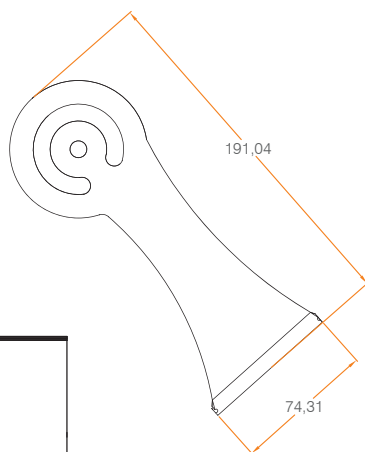
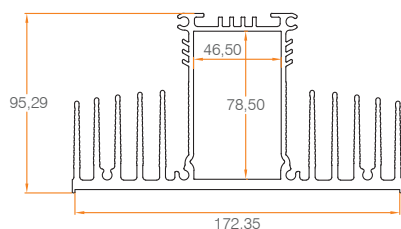
Designed to reach an IP67 waterproof rating

Cost effective & efficient lighting solution for a fast return on investment

Effective design to reach maximum cooling capacity

High resistance Tempered glass for flexible solution

Wide range of sizes and mounting options



PRODUCT CHARACTERISTICS

Heatsink Profile

6063 Quality-Anodic Oxidation Covered Aluminium Profile

Material of Side Lids

Etiat 150 Quality Electrostatic Paint Aluminium

Material of Cover

Polycarbonate (UV)

Material of Gasket

GE Bayar Silicon, Vulkanize, (45-55-65) Shore-A

Material of Bracket

4mm HRP Powder-Coated

*Optional: Length can be extended limited to polycarbonate cover dimensions

Other led lighting products compatible with our PR-18 products.

POWER	LED MODULE	DRIVER	LENS
80 Watt	REC-A1-124*202-DS5V1x96	OT 100/220... 240/1A4 1DIMA P7 (1100 ma)	DK5050-12H1
75 Watt	REC-A1-134*230-SQRx20	OT 100/220... 240/1A4 1DIMA P7 (1150 ma)	KHATOD 2x2 KNAC04xxASM

PR-28 PROJECTOR HOUSING



IP-67



Applications

Urban & Residential Streets

Car Parks

Roads & Motorways

Railway Station & Metros



Features

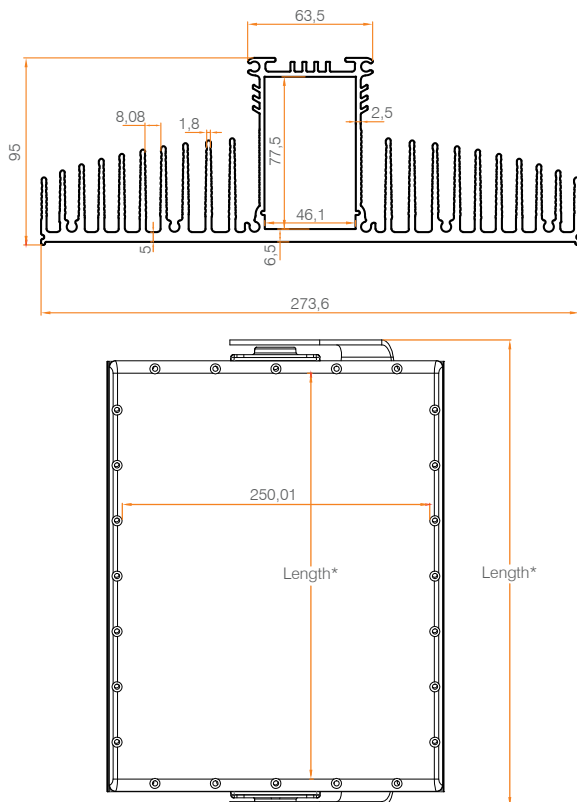
Designed to reach an IP67 waterproof rating

Cost effective & efficient lighting solution for a fast return on investment

Effective design to reach maximum cooling capacity

High resistance Tempered glass for flexible solution

Wide range of sizes and mounting options



PRODUCT CHARACTERISTICS

Heatsink Profile

6063 Quality-Anodic Oxidation Covered Aluminium Profile

Material of Side Lids

Etiat 150 Quality Electrostatic Paint Aluminium

Material of Cover

Polycarbonate (UV)

Material of Gasket

GE Bayar Silicon, Vulkanize, (45-55-65) Shore-A

Material of Bracket

4mm HRP Powder-Coated

*Optional: Length can be extended limited to polycarbonate cover dimensions

Other led lighting products compatible with our PR-18 products.

POWER

130 Watt

LED MODULE

REC-A1-171*250-SQRx48

DRIVER

OT 150/220...
240/1A4 1DIMA P7 (900 ma)

LENS

KHATOD 2x2 KNAC04xxASM

PR-79XP PROJECTOR HOUSING



IP-67



Applications

Urban & Residential Streets

Car Parks

Roads & Motorways

Railway Station & Metros



Features

Designed to reach an IP67 waterproof rating

Cost effective & efficient lighting solution for a fast return on investment

Effective design to reach maximum cooling capacity

High resistance Tempered glass for flexible solution

Wide range of sizes and mounting options

PRODUCT CHARACTERISTICS

Material of Heatsink

6063 Quality-Anodic Oxidation Convered Aluminium Profile

Material of Heatsink for Glass (Lath-D)

6063 Quality-Anodic Oxidation Convered Aluminium Profile

Material of Side Lids

Etial 150 Quality Electrostatic Paint Aluminium

Material of Drive Case

6063 Quality-Anodic Oxidation Convered Aluminium Profile

Material of Side Lids for Drive Case

2 mm Stainless

Material of Gasket

(Under of Glass, Driver Case and Slide Lid)

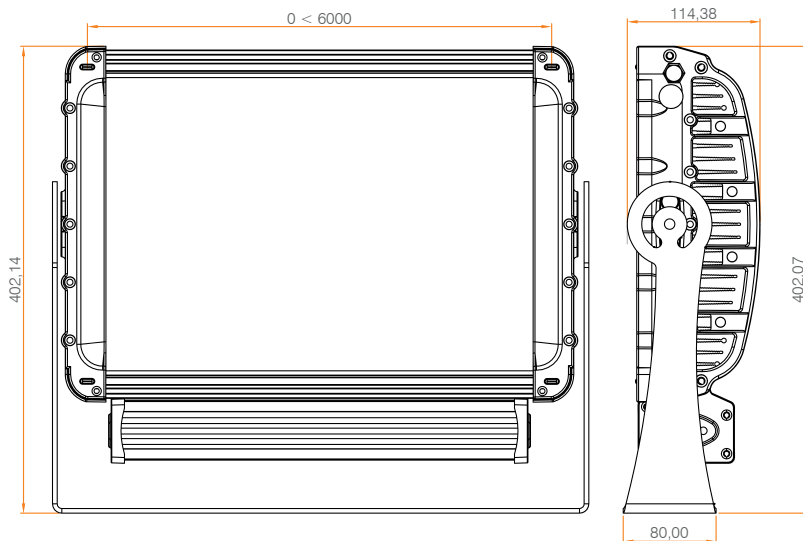
GE Bayar Silicones, Vulkanize, 40 Shore-A

Material of Bracket

5 mm HPR Powder-Coated; RAL 9006

Material of Glass

5 mm Tempered Glass



*Optional: Length can be extended limited to gasket dimensions

Other led lighting products compatible with our PR-79XP products.

POWER	LED MODULE	DRIVER	LENS
100 Watt	REC-A1-171*250-SQRx48	OT 100/220... 240/1A4 1DIMA P7 (700 ma)	KHATOD 2x2 KNAC04xxASM
150 Watt	REC-A1-171*250-SQRx48	OT 150/220... 240/1A4 1DIMA P7 (1050 ma)	KHATOD 2x2 KNAC04xxASM
200 Watt	REC-A1-222*280-SQRx64	OT 200/220...2 40/1A4 1DIMA P7 (1050 ma)	KHATOD 2x2 KNAC04xxASM